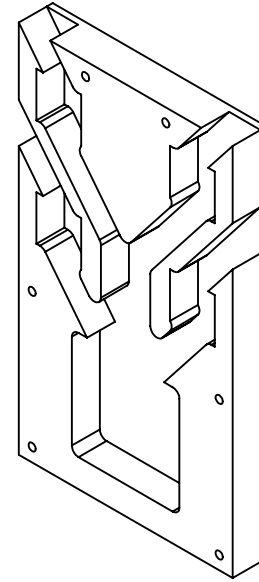
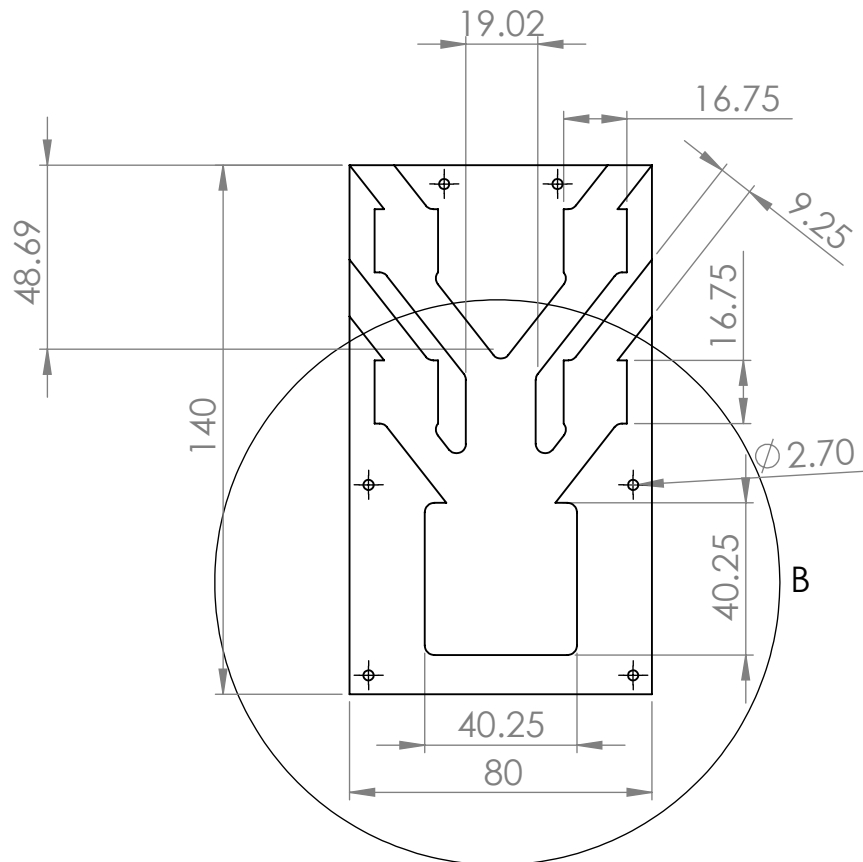
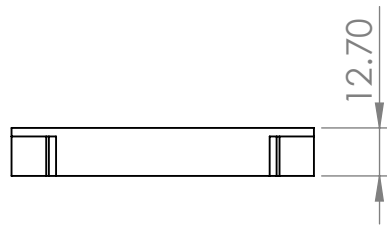
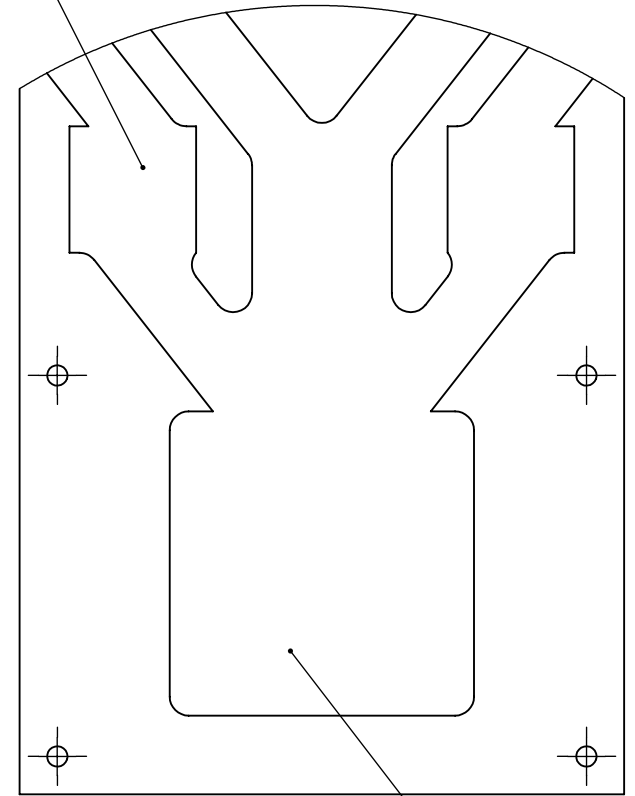


Optostimulation Rig LED Mount - Bottom Piece

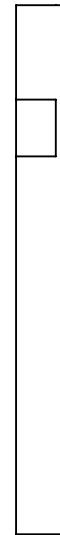
Ted French
8 August 2011
Potter Group
Scale 1:2



Slots fitted for small heatsinks which will rest underneath the LEDs



SCALE 1 : 1



Slot sized wider than air channels to ensure laminar flow once air is drawn into the fan above