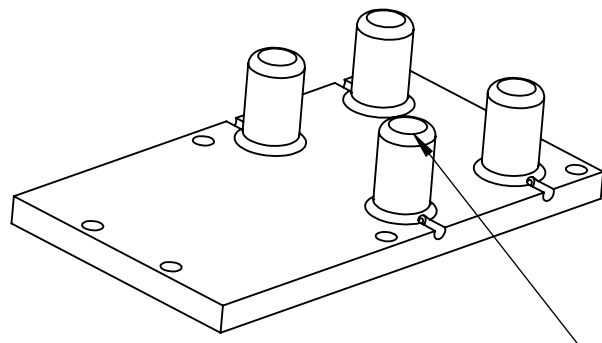
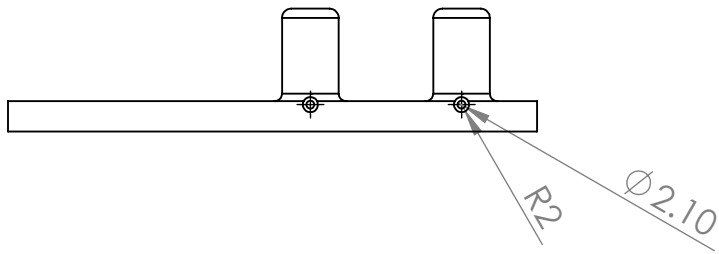
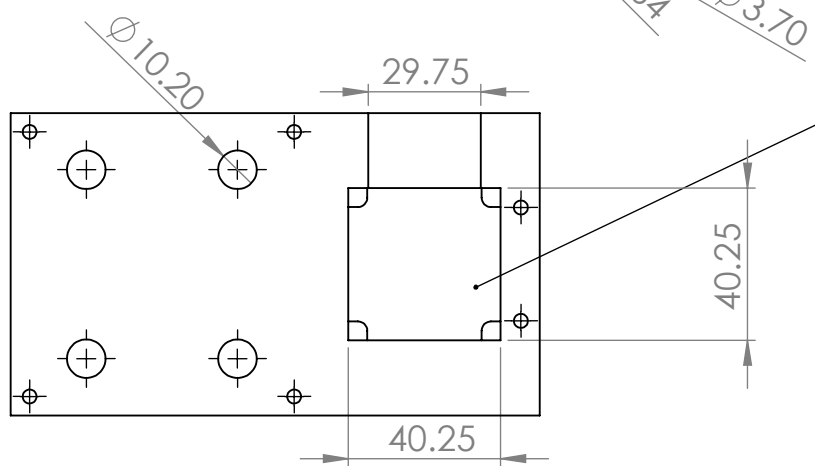
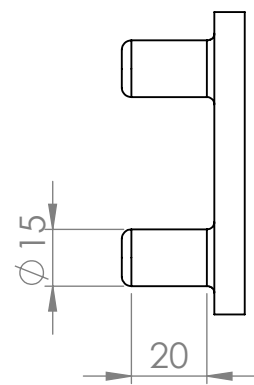
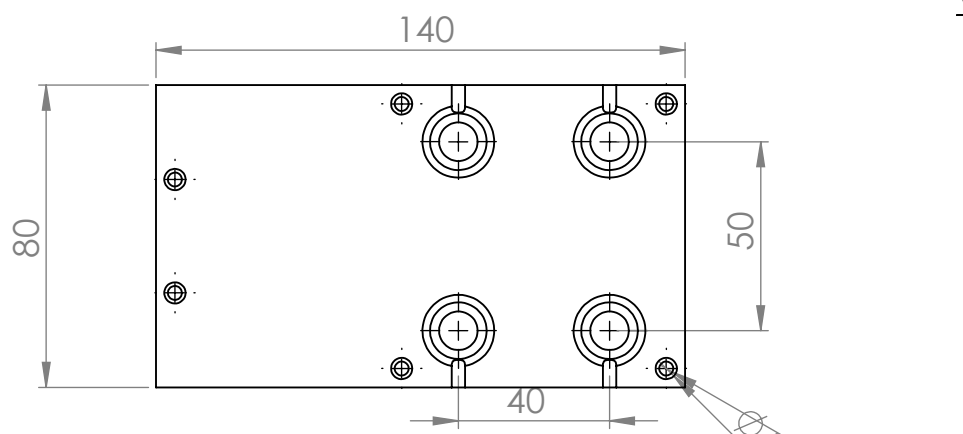


Optostimulation Rig LED Mount - Top Piece
Ted French
8 August 2011
Potter Group
Scale 1:2



Ports sized to fit fiber optic light pipes,
which transmit the LED's light to the culture



Slot sized to accommodate the
top of the cooling fan